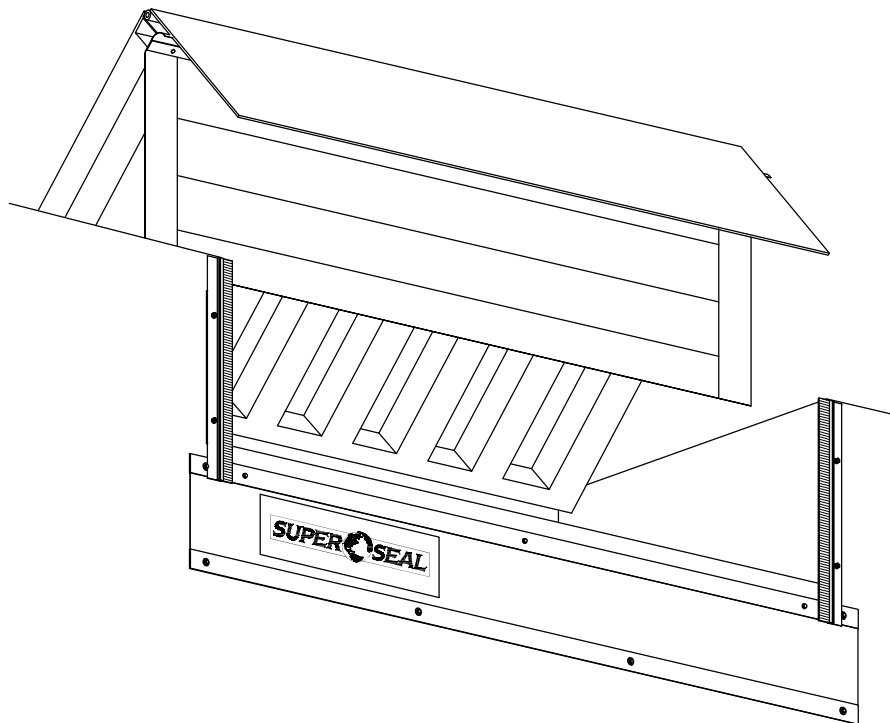


PIT BLOCKER INSTALLATION INSTRUCTIONS

Read all instructions before installing unit. Super Seal Mfg. Ltd. will not be held responsible for improper installation of anchoring devices, or for installation into aged or unsound concrete, concrete block, or other wall or floor material which may result in premature product wear, product failure, property damage, or personal injury.





BEFORE INSTALLING PIT BLOCKER UNIT, PLEASE READ CAREFULLY ALL THE INFORMATION CONTAINED IN THIS MANUAL REGARDING SAFETY AND INSTALLATION.

DO NOT COMMENCE ANY MEASUREMENTS OR INSTALLATION AROUND OR UNDER DOCK LEVELER UNTIL ALL SAFETY MECHANISMS ARE PUT IN PLACE INCLUDING ERECTION OF MAINTENANCE STRUT.

DISCONNECT & LOCKOUT THE ELECTRICAL POWER SUPPLY, AND CONFIRM THAT THERE IS NO POWER TO THE DOCK LEVELER CONTROL PANEL. ALSO CONFIRM THAT IT CANNOT BE TURNED ON AGAIN ACCIDENTALLY.

FOLLOW PROPER LOCK-OUT/TAG-OUT PROCEDURES.

KEEP HANDS AND FEET CLEAR OF DOCK LEVELER PINCH POINTS AND WEAR APPROPRIATE SAFETY ATTIRE (GLASSES, GLOVES & WORK BOOTS).

PIT BLOCKER INSTALLATION LISTS

THE FOLLOWING LISTS COVER BASIC INSTALLATION.

Components List (per Unit)		
No.		Qty.
1	Blocker Panel	1
2	Bottom Skirt	1
3	Side Brushes	2
Hardware Supplied List (per Unit)		
No.		Qty.
4	1/4" x 3/4" Hex Washer Tek Screws	10
5	1/4" x 1 3/4" concrete screws	10
6	1/4" BS Washers	4
Recommended Tools List		
No.		Qty.
1	Measuring Tape	1
2	Pencil or Chalk	1
3	5/16" Hex Head Driver Bit	1
4	3/8" Hex Head Driver Bit	1
5	Mini Hack Saw	1
6	Utility Knife	1
7	Hammer Drill	1
8	3/16" Masonry Drill Bit	1



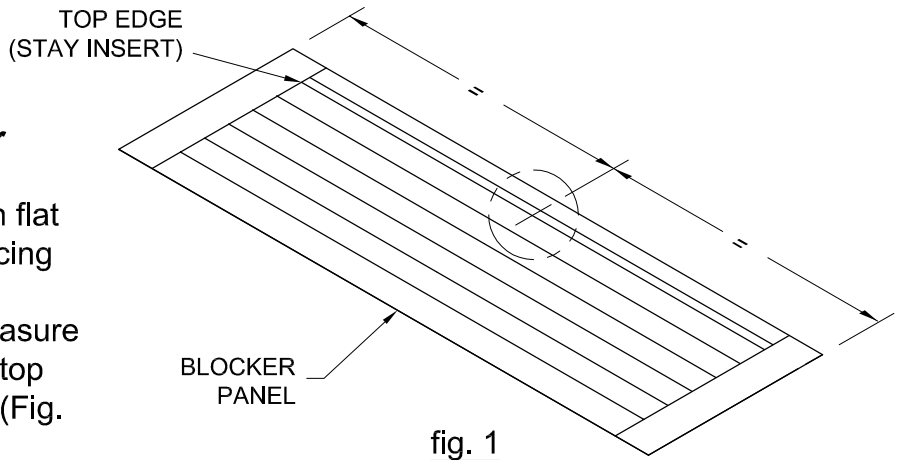
DO NOT PROCEED WITH INSTALLATION UNTIL YOU HAVE READ SAFETY INSTRUCTIONS CONTAIN ON PAGE 2 OF THIS MANUAL.

1. Check Order

- a. Measure dock opening height and width. Compare to Purchase Order.
- b. Check Components List and Hardware Supplied List (page 2). Make sure all components and hardware are present.
- c. Check Recommended Tools List. Make sure all recommended tools are available.

2. Mark center of blocker panel.

- a. Lay blocker panel on a clean flat surface with finished side facing up.
- b. Using a measuring tape, measure and mark center of panel at top edge where stay is inserted (Fig. 1).

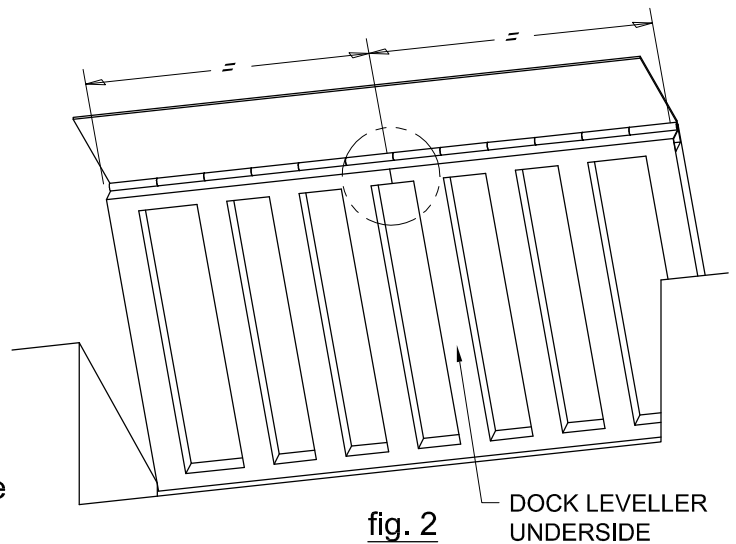


3. Mark center of dock leveller.

- a. Raise dock leveller to a height where you can see underside clearly.

REMEMBER TO USE MAINTENANCE STRUT TO PROP UP DOCK LEVELLER WHEN ACCESSING UNDERNEATH.

- b. Using a tape measure, measure and mark center of leveller platform underside close to the hinge (fig. 2).



3. Attach blocker panel.

- a. Line up blocker panel center line with dock leveller center line and fasten with 1/4" x 3/4" tek screw. Screw through stay and fabric using 3/8" hex socket driver bit and drill (fig. 3).

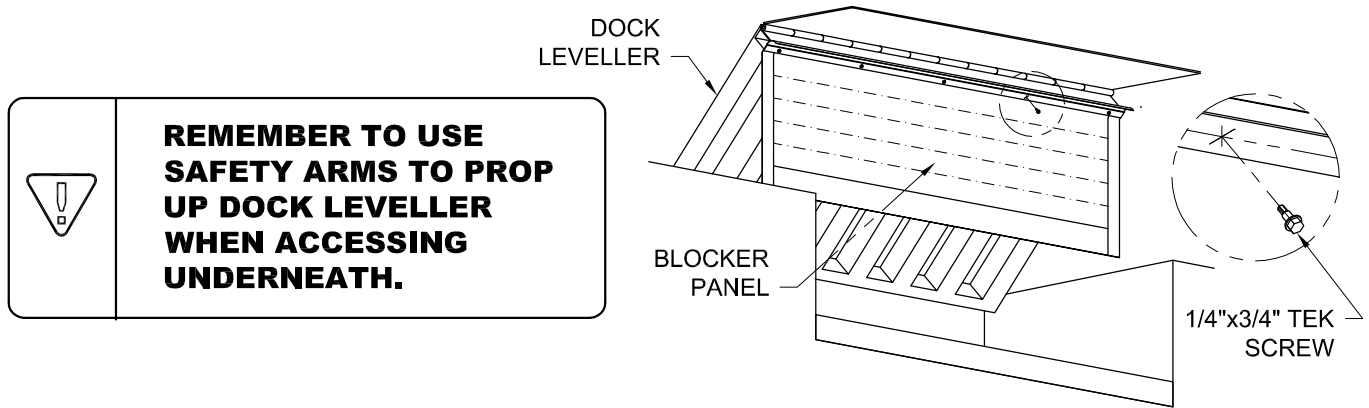


fig. 3

4. Trim fabric.

Using scissors or utility knife, cut away fabric that would interfere with existing dock leveller framework (fig. 4).

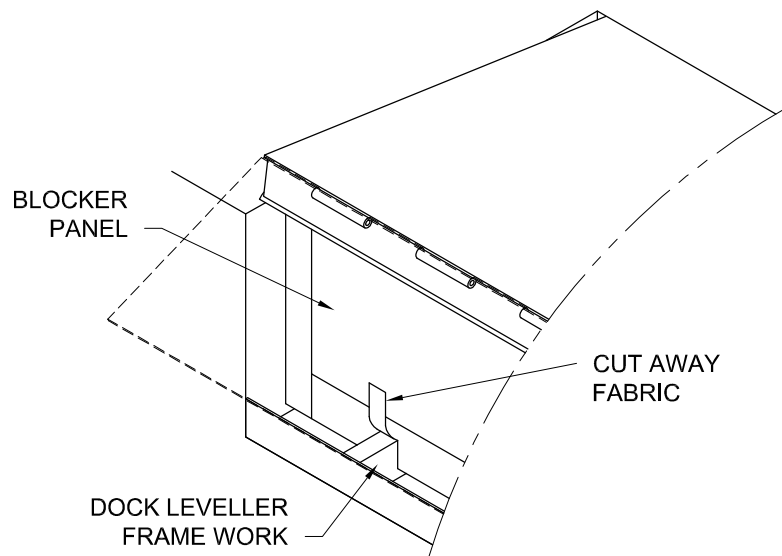
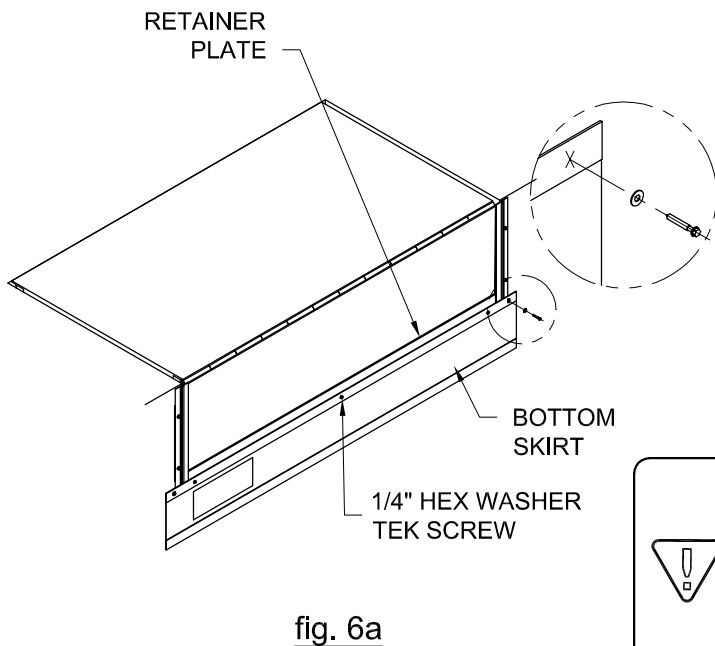
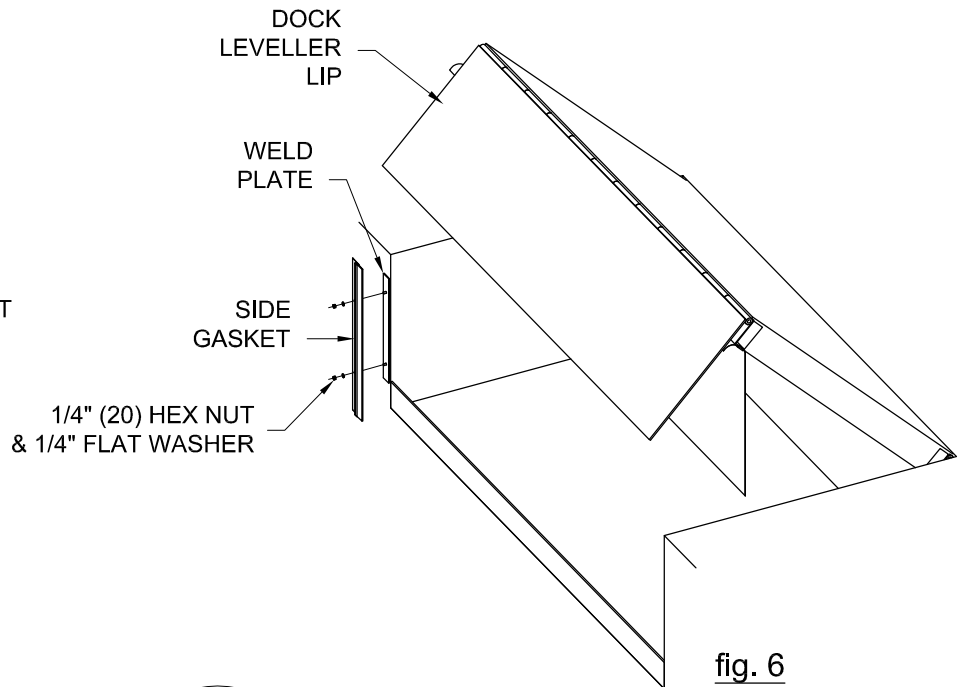
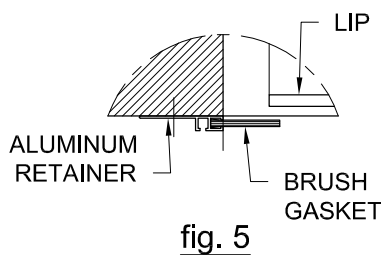


fig. 4




5. Attach side brushes.

- a. Position side brushes against dock so that the aluminum retainer edge is flush with side walls (fig. 5).
- b. Using a pencil, mark hole locations.
- c. Position weld plates so that studs match hole locations.
- d. Weld stud mounting plates into place.
- d. Secure side brushes to wall using 1/4" (20) hex nuts and 1/4" flat washers. Use 7/16" hex socket drill bit to tighten (fig. 6).



6. Attach top edge of bottom skirt.

- a. Center bottom skirt onto dock leveller retainer plate (fig. 6a).
- b. Using 3/8" hex head socket with 1/4" hex washer tek screw drill and fasten bottom skirt into place at center (top edge).

	<p>DEPENDING ON THE DOCK, THIS UNIT MAY REQUIRE ON-SITE MODIFICATIONS. ALTERNATIVE FASTENING METHODS MAY ALSO BE REQUIRED (NOT SUPPLIED BY SUPERSEAL).</p>
---	---

6. Attach top edge of bottom skirt (Cont'd).

- c. Repeat 'b' at either ends, 2" inside pit walls (fig. 6b).
- d. Drill 2" deep holes at both top corners of bottom skirt (approx. 2" in from the edge) using a 3/16" concrete drill bit.
- e. Secure top corners with 1/4" x 1 3/4" concrete screws and 1/4" washers. Use 5/16" hex drill bit to tighten (fig. 6b).

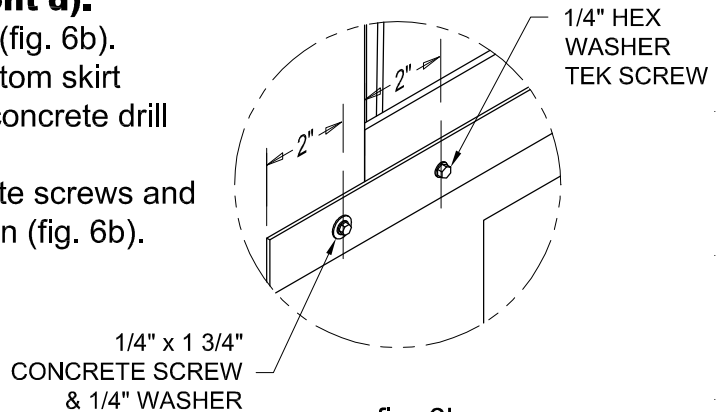


fig. 6b

7. Attach bottom edge of bottom skirt.

- a. Mark four hole locations along bottom edge (middle of stay) with the outer holes at 2" in from edges. Holes should be evenly spaced (fig. 6c).
- b. Drill through stay and fabric into concrete at a depth of 2".
- c. Secure bottom edge using 1/4" x 1 3/4" concrete screws and 1/4" washers. Use 5/16" hex socket drill bit to tighten.

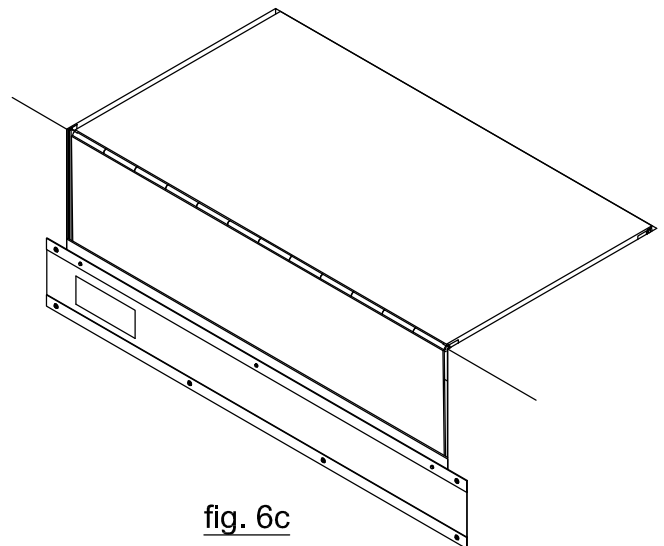


fig. 6c